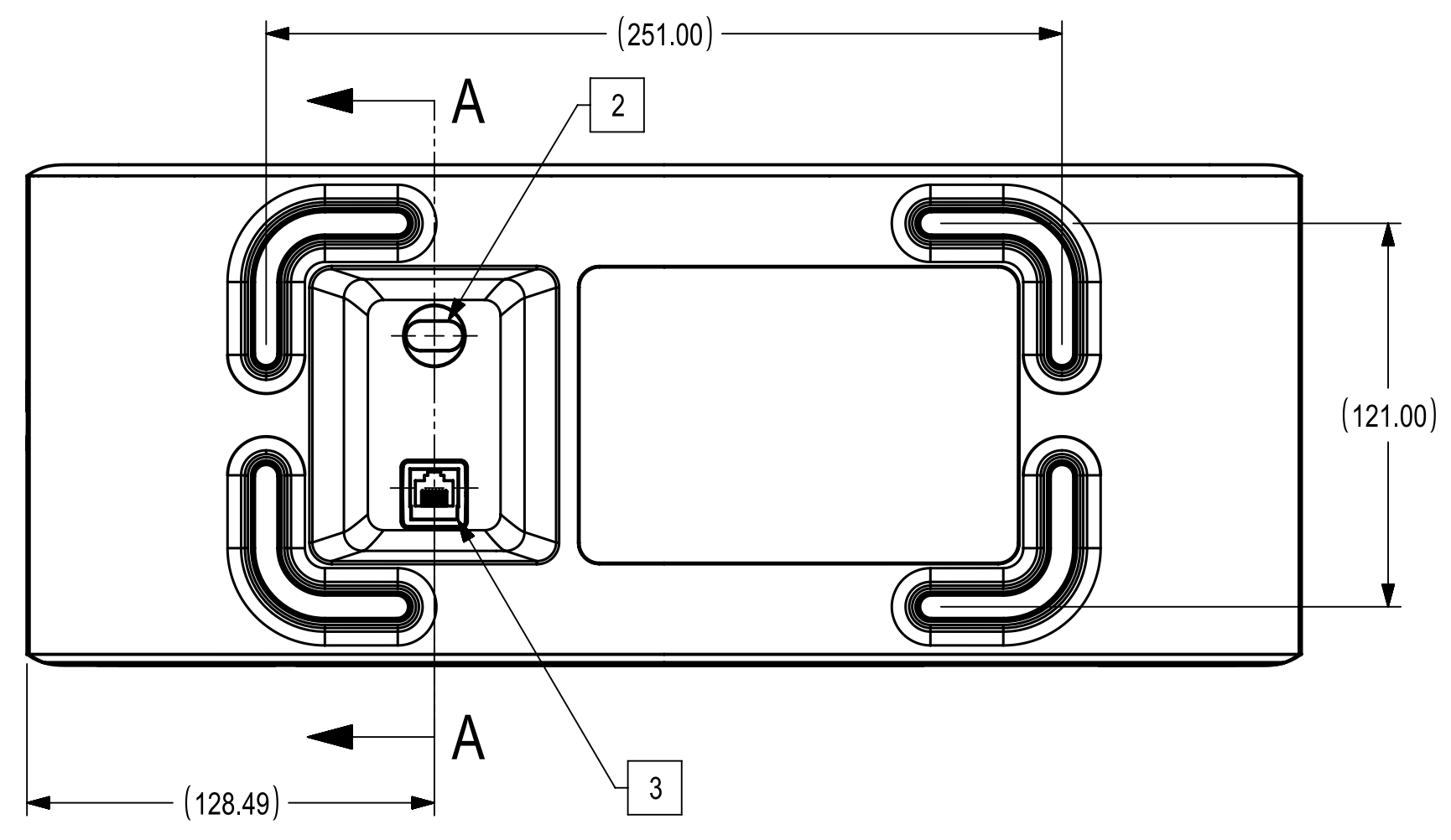
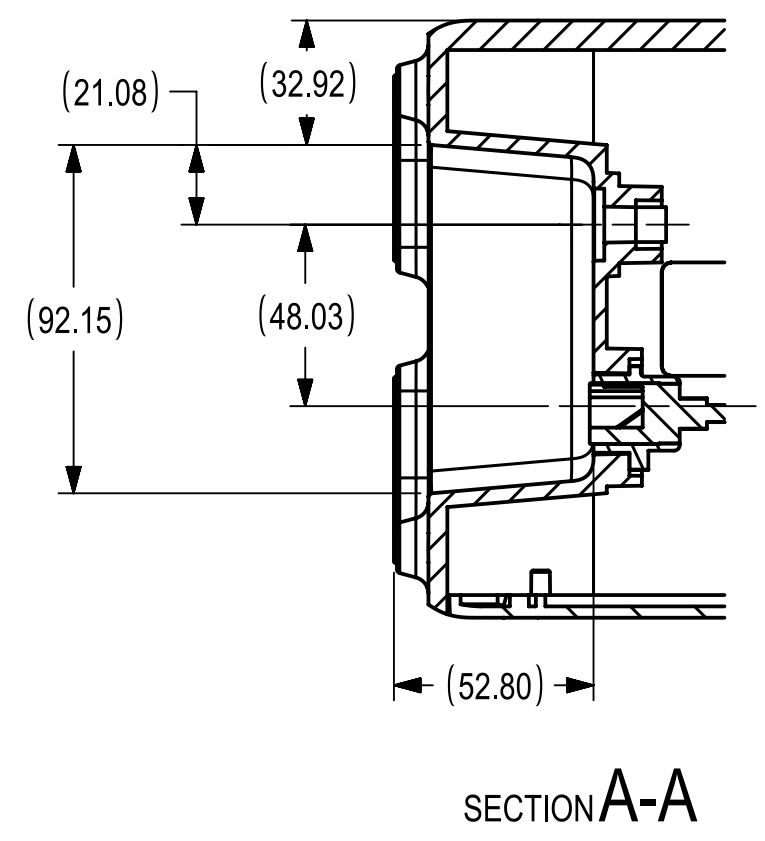
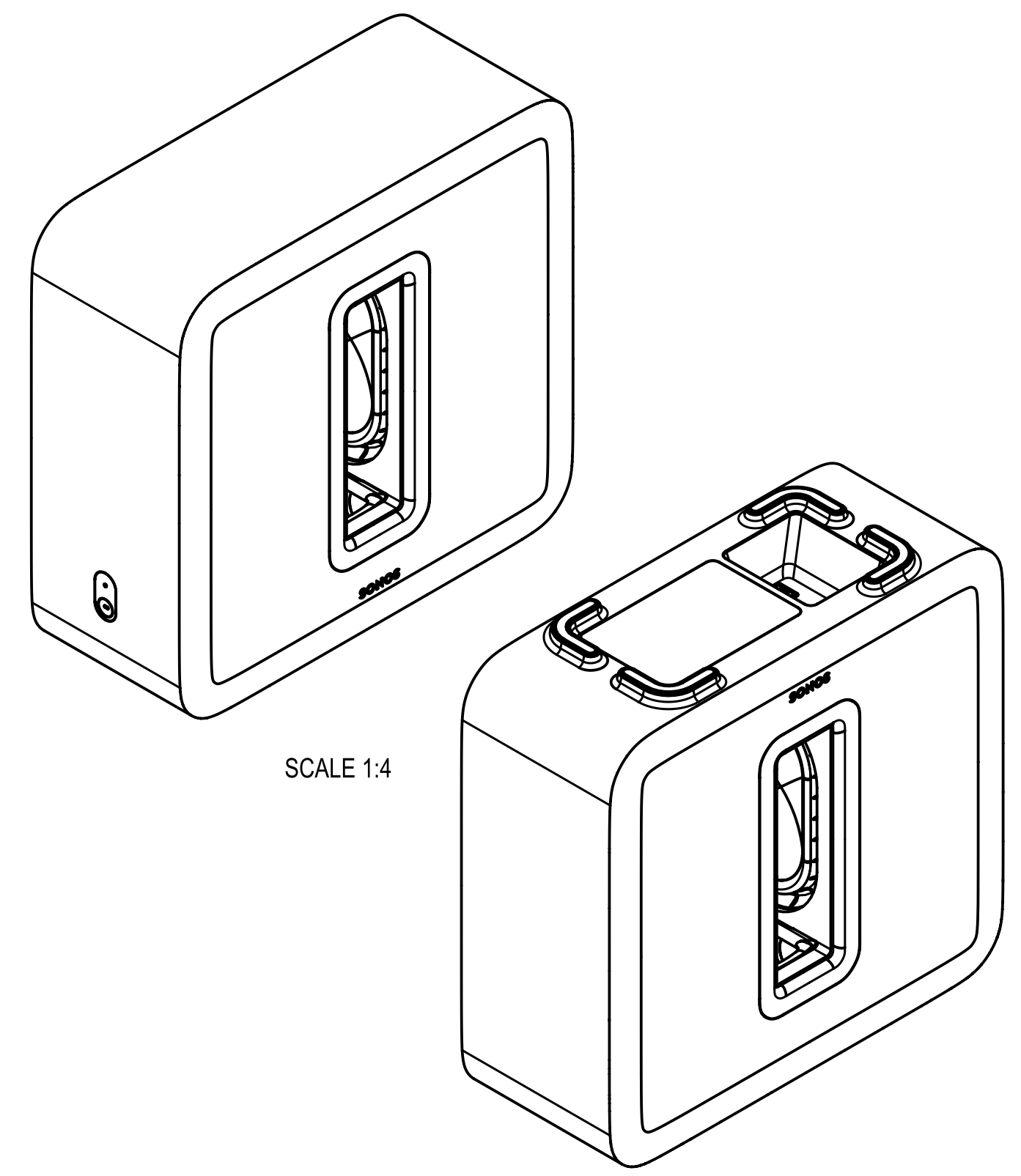
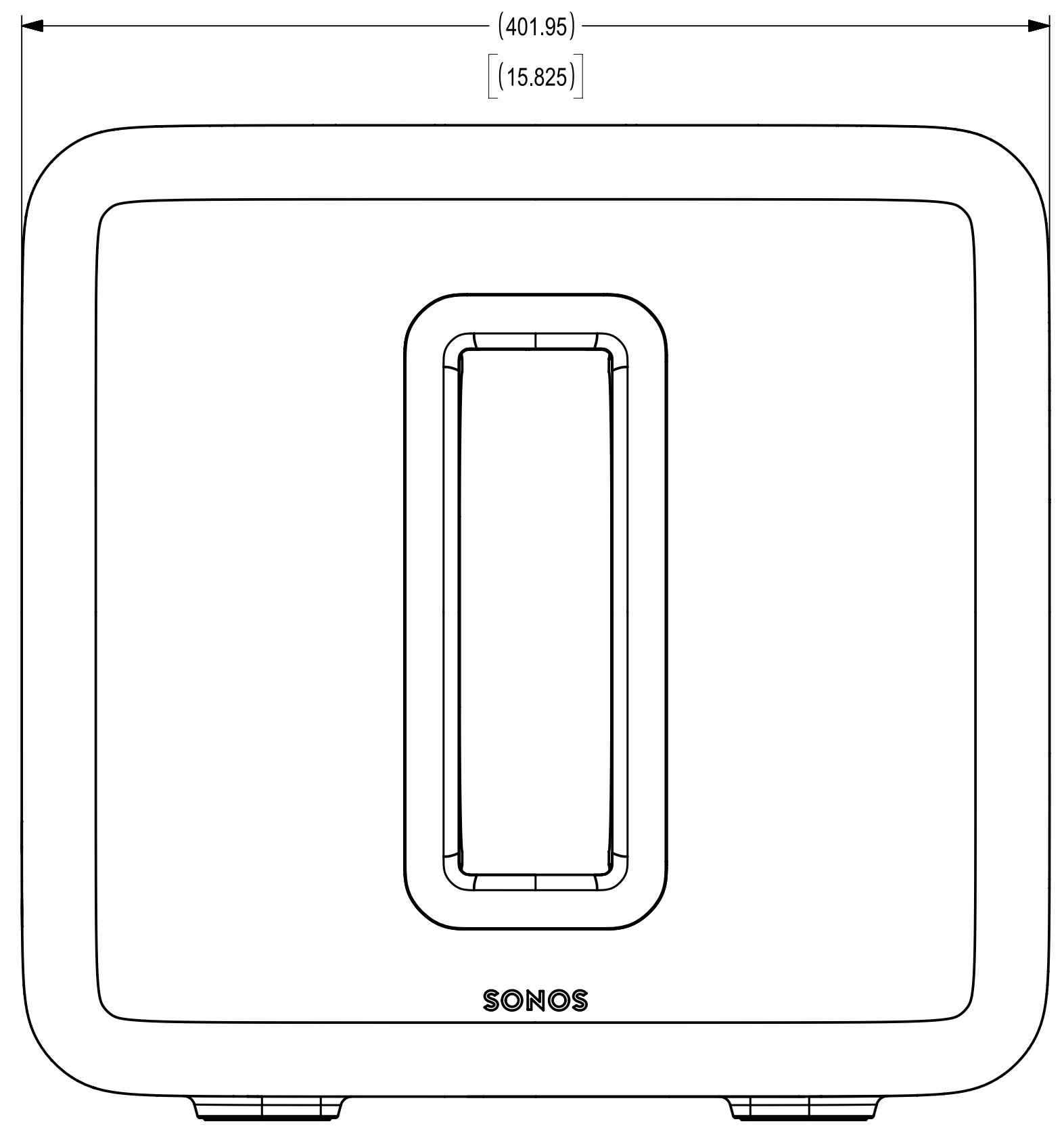
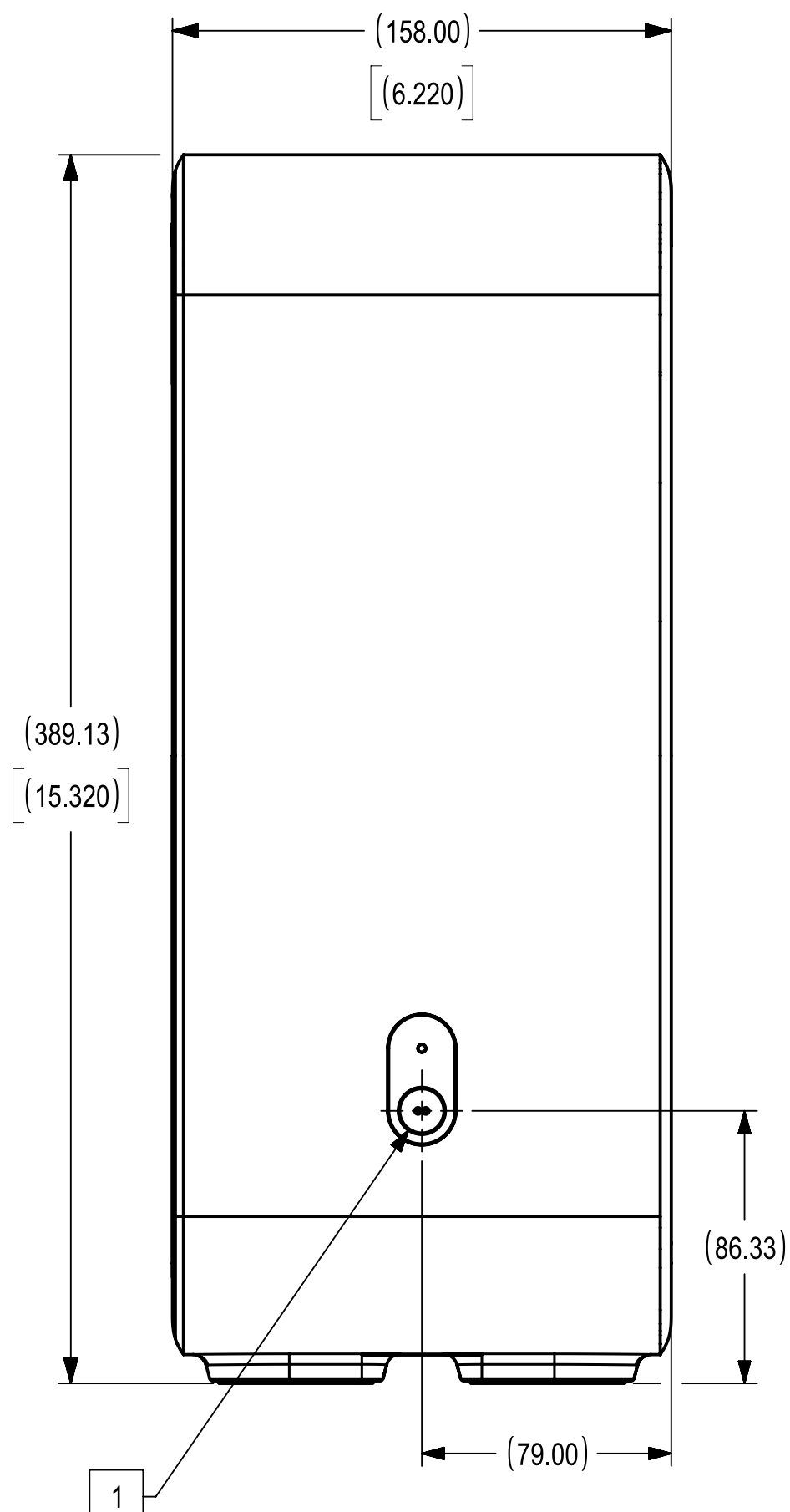


REV	ECO NO	DESCRIPTION	DRAWN	CHECK	DATE
0	-	PRELIMINARY RELEASE	BN	AJT	2020-06-011



ITEM	DESCRIPTION	CONNECTOR TYPE	QTY
1	JOIN BUTTON	N/A	1
2	AC POWER (MAINS) INPUT	IEC60320-1, C7	1
3	MULTI-MEDIA PORT	RJ45	1

**SONOS**

TITLE:  
**INSTALLER DRAWING, SUB**

SIZE: <b>A2</b>	THIRD ANGLE PROJECTION 	PART NO: <b>890-00379</b>	REV: <b>00</b>
SCALE: 1 : 2		SHEET: 1 OF 1	

THIS DOCUMENT AND THE INFORMATION CONTAINED HEREIN ARE PROPRIETARY TO SONOS INCORPORATED AND SHALL NOT BE USED BY, OR DISCLOSED IN WHOLE OR IN PART TO ANYONE OUTSIDE OF SONOS INCORPORATED WITHOUT THE PRIOR WRITTEN PERMISSION OF SONOS INCORPORATED.